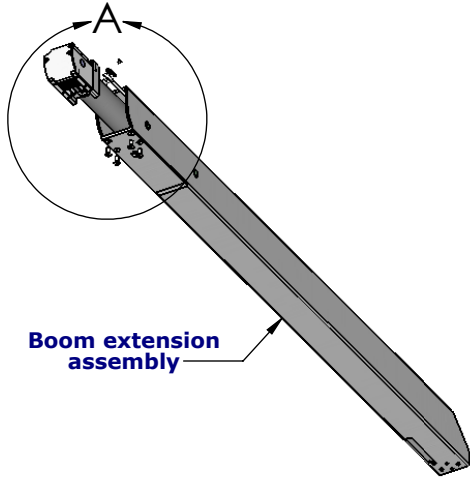


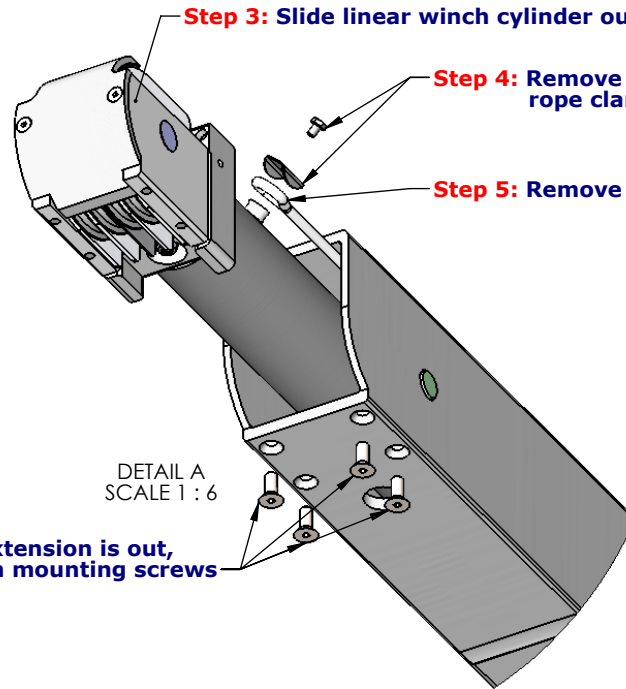
ES1000/ES1500 ROPE REPLACEMENT INSTRUCTIONS

Step 1: Follow instruction on boom extension removal drawing to slide boom extension out.



Boom extension assembly

Step 3: Slide linear winch cylinder out of the boom extension



Step 4: Remove rope retainer screw and rope clamping plate.

Step 5: Remove rope end loop from the anchor

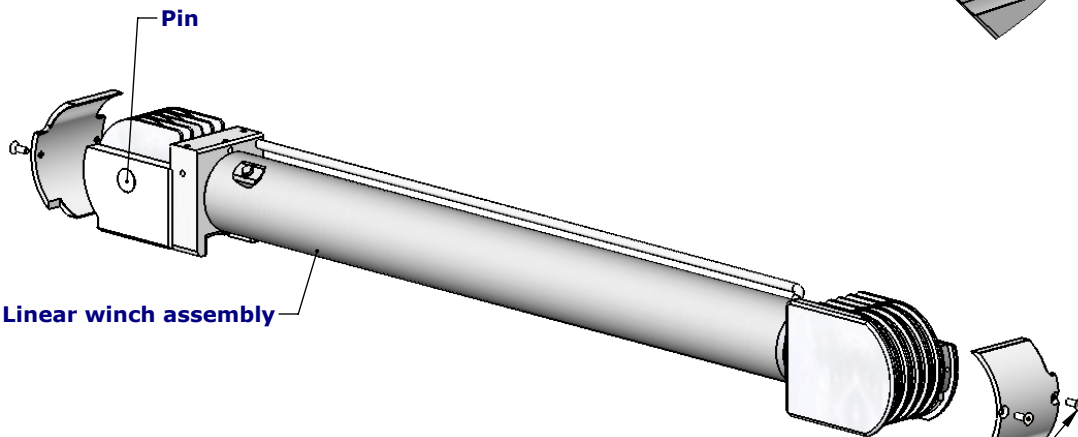
Step 2: Once boom extension is out, remove winch mounting screws

Step 7: Now unwind the rope off of the winch assembly
****Warning**** Care must be taken to make sure the pins do not slide out of the assembly

Step 8: Wind the new rope into the winch assembly in the same fashion the old rope was removed.
****Warning**** For proper operation of the winch, please ensure that the rope wraps around the sheaves in the same order it was removed.

Step 9: Once done winding the rope, re-assemble the winch assembly in reverse order from disassembly.

Please contact service representative for any further assistance



Linear winch assembly

Step 6: Remove the screws and sheave covers from both ends on linear winch assembly

THE INFORMATION CONTAINED IN THIS DRAWING CONSTITUTES THE INTELLECTUAL PROPERTY, INCLUDING, BUT NOT LIMITED TO, KNOWLEDGE, TRADE SECRETS, AND PROPRIETARY INFORMATION WHICH IS THE EXCLUSIVE PROPERTY OF STEELHEAD MARINE LTD., ALL INFORMATION CONTAINED IN THIS DRAWING IS TO BE HELD IN THE STRICTEST CONFIDENCE BY THE RECIPIENT, AND IS NOT TO BE COPIED, DISCLOSED TO, OR TRANSMITTED TO ANY THIRD PARTIES WITHOUT THE EXPRESS WRITTEN AUTHORIZATION OF STEELHEAD MARINE LTD.

**CAD GENERATED DRAWING.
DO NOT MANUALLY UPDATE.
*** DO NOT SCALE ***
UNLESS OTHERWISE SPECIFIED
ALL DIMENSIONS ARE IN
INCHES.**

TOLERANCES:
FRACTIONS = ±1/16
0, 0.0 = ±0.030
0.00 = ±0.010
0.000 = ±0.005
ANGLES = ±1.0



2 - 5367 271 Street, Langley, B.C. Canada
Tel: 604-607-0091 Fax: 604-607-0092
Web: www.steelheadmarine.net
E-mail: sales@steelheadmarine.net

DRAWN:	G.B.
DATE:	27/11/2014
CHECKED:	G.R.
APPROVED:	
SCALE:	1:24

WINCH REMOVAL/ROPE REPLACEMENT INSTRUCTIONS		
PROJECT: ES1000/ES1500		
DWG. NO.:	SHEET:	REV.:
ES10-ES15-Rope replacement	1	

3rd ANGLE PROJ. ©