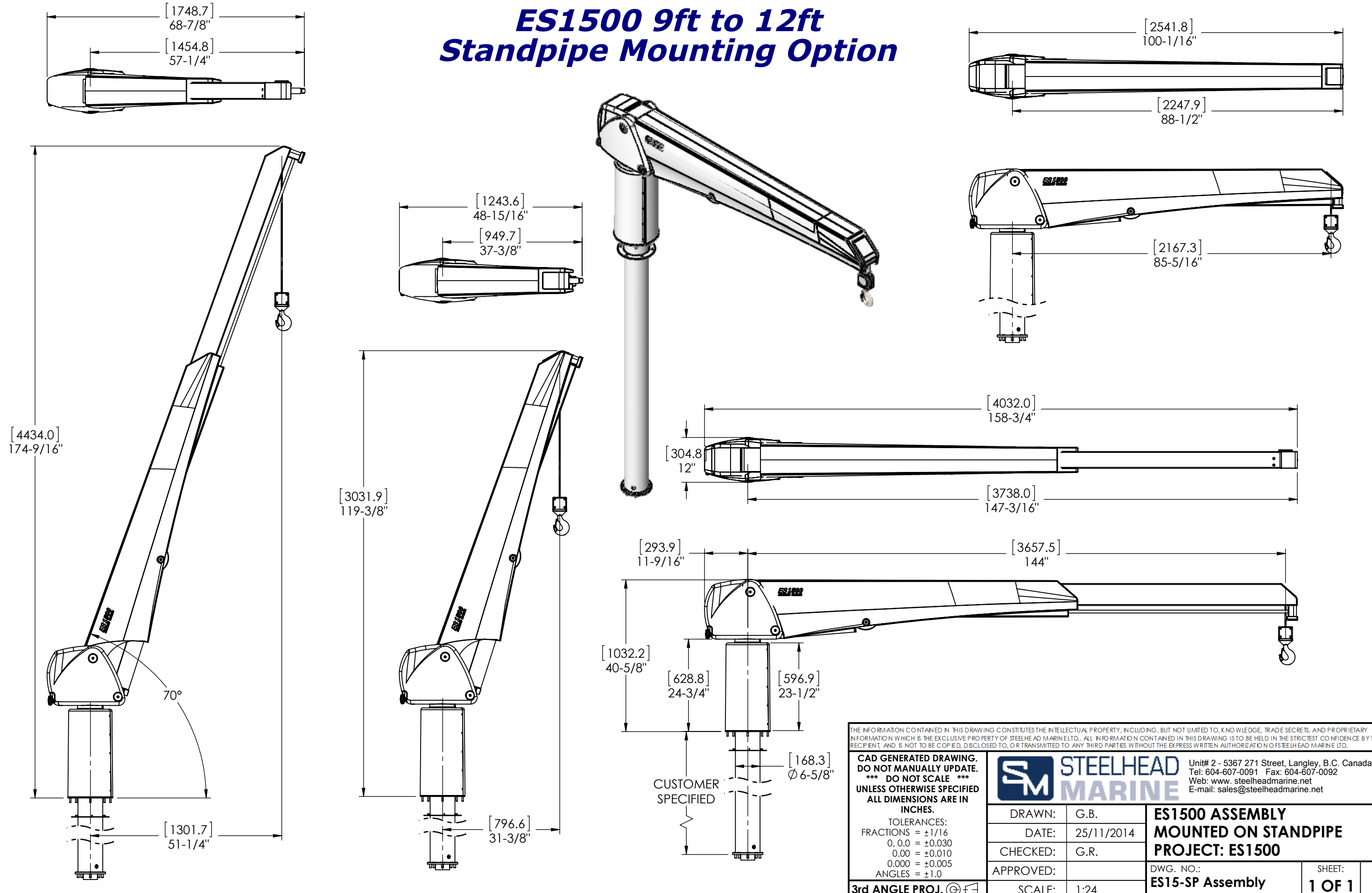


ES1500 9ft to 12ft Standpipe Mounting Option



THE INFORMATION CONTAINED IN THIS DRAWING CONSTITUTES THE INTELLECTUAL PROPERTY, INCLUDING, BUT NOT LIMITED TO, KNOWLEDGE, TRADE SECRETS, AND PROPRIETARY INFORMATION WHICH IS THE EXCLUSIVE PROPERTY OF STEELHEAD MARINE LTD.. ALL INFORMATION CONTAINED IN THIS DRAWING IS TO BE HELD IN THE STRICTEST CONFIDENCE BY THE RECIPIENT, AND IS NOT TO BE COPIED, DISCLOSED TO, OR TRANSMITTED TO ANY THIRD PARTIES WITHOUT THE EXPRESS WRITTEN AUTHORIZATION OF STEELHEAD MARINE LTD.

**CAD GENERATED DRAWING.
DO NOT MANUALLY UPDATE.
*** DO NOT SCALE ***
UNLESS OTHERWISE SPECIFIED
ALL DIMENSIONS ARE IN INCHES.**

TOLERANCES:
FRACTIONS = ±1/16
0, 0.0 = ±0.030
0.00 = ±0.010
0.000 = ±0.005
ANGLES = ±1.0

3rd ANGLE PROJ.

DRAWN:	G.B.	STEELHEAD MARINE Unit# 2 - 5367 271 Street, Langley, B.C. Canada Tel: 604-607-0091 Fax: 604-607-0092 Web: www.steelheadmarine.net E-mail: sales@steelheadmarine.net		
DATE:	25/11/2014			
CHECKED:	G.R.			
APPROVED:				
SCALE:	1:24	ES1500 ASSEMBLY MOUNTED ON STANDPIPE PROJECT: ES1500		
		DWG. NO.:	SHEET:	REV.:
		ES15-SP Assembly	1 OF 1	