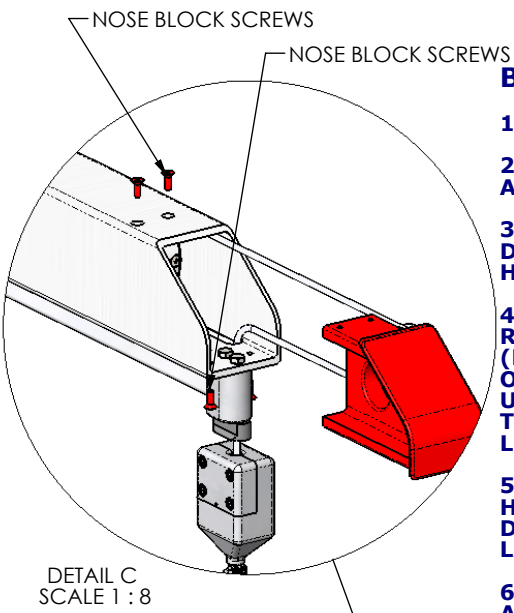
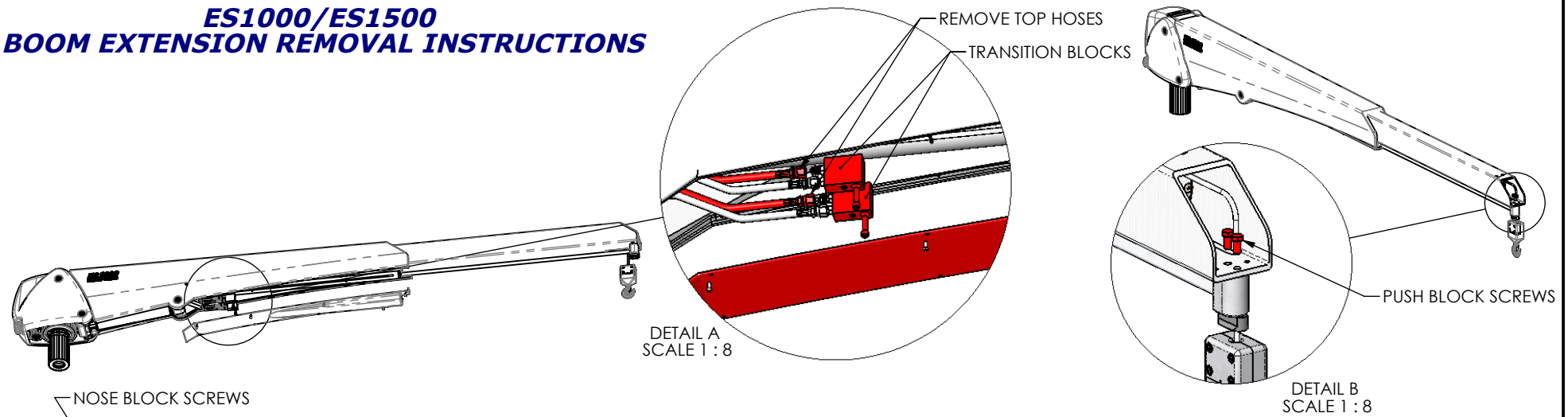
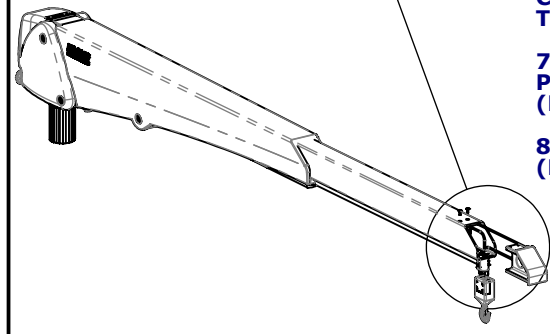
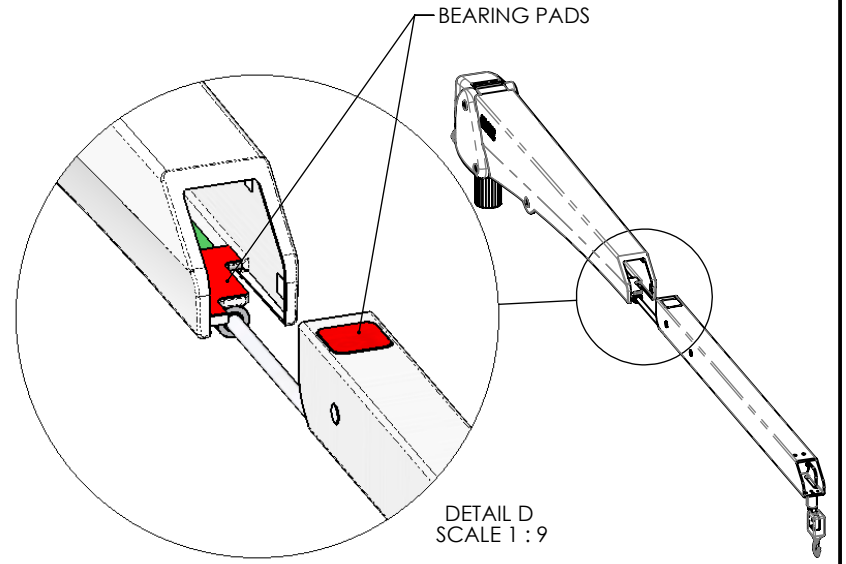


ES1000/ES1500 BOOM EXTENSION REMOVAL INSTRUCTIONS



BOOM EXTENSION REMOVAL INSTRUCTIONS:

1. EXTEND BOOM EXTENSION ALL THE WAY OUT.
2. RAISE BOOM UP ABOUT 45° TO ALLOW EASY ACCESS TO BOTTOM OF BOOM.
3. PAY OUT THE ROPE UNTIL THE HOOK HITS THE DECK, KEEPING CONSTANT TENSION ON THE HOOK.
4. REMOVE BOTTOM COVER. REMOVE HYDRAULIC TRANSITION BLOCKS (DETAIL A), AND DISCONNECT THE TOP SET OF HOSES (STAINLESS STEEL BRAIDED HOSES) USING A 1/2" AND A 9/16" WRENCH FROM THE BLOCK (PLUG HOSES TO PREVENT OIL LEAKS).
5. LOWER THE BOOM BACK DOWN TO HORIZONTAL. FAILURE TO DO THIS WILL CAUSE DAMAGE TO HOSES AND POSSIBLE INJURY LATER IN THE PROCESS.
6. REMOVE NOSE BLOCK SCREWS (DETAIL C) AND SLIDE NOSE OUT OF BOOM EXTENSION. CAREFULLY REMOVE THE NOSE SHEAVE FROM THE NOSE BLOCK AND SET ASIDE.
7. MAKE SURE THE CRANE IS IN THE HORIZONTAL POSITION, REMOVE PUSH BLOCK SCREWS (DETAIL B).
8. SLIDE BOOM EXTENSION OUT OF THE CRANE (DETAIL D).



THE INFORMATION CONTAINED IN THIS DRAWING CONSTITUTES THE INTELLECTUAL PROPERTY, INCLUDING, BUT NOT LIMITED TO, KNOWLEDGE, TRADE SECRETS, AND PROPRIETARY INFORMATION WHICH IS THE EXCLUSIVE PROPERTY OF STEELHEAD MARINE LTD., ALL INFORMATION CONTAINED IN THIS DRAWING IS TO BE HELD IN THE STRICTEST CONFIDENCE BY THE RECIPIENT, AND IS NOT TO BE COPIED, DISCLOSED TO, OR TRANSMITTED TO ANY THIRD PARTIES WITHOUT THE EXPRESS WRITTEN AUTHORIZATION OF STEELHEAD MARINE LTD.

CAD GENERATED DRAWING.
DO NOT MANUALLY UPDATE.
*** DO NOT SCALE ***
UNLESS OTHERWISE SPECIFIED
ALL DIMENSIONS ARE IN
INCHES.
TOLERANCES:
FRACTIONS = ±1/16
0, 0.0 = ±0.030
0.00 = ±0.010
0.000 = ±0.005
ANGLES = ±1.0



2 - 5367 271 Street, Langley, B.C. Canada
Tel: 604-607-0091 Fax: 604-607-0092
Web: www.steelheadmarine.net
E-mail: sales@steelheadmarine.net

DRAWN:	G.R.
DATE:	
CHECKED:	
APPROVED:	
SCALE:	1:32

ES1000 ASSEMBLY		
PROJECT: ES1000		
DWG. NO.:	SHEET:	REV.:
ES10-ASSEMBLY-BERR1	1 OF 1	

3rd ANGLE PROJ. ©