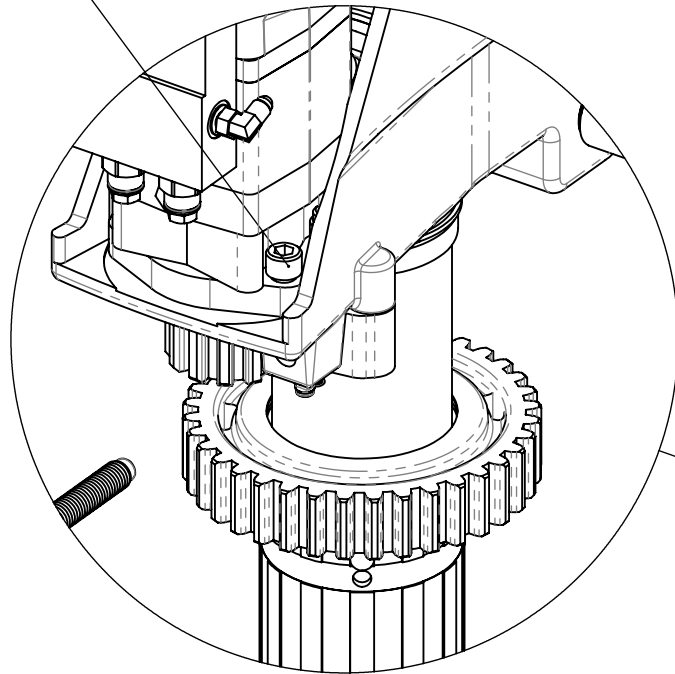


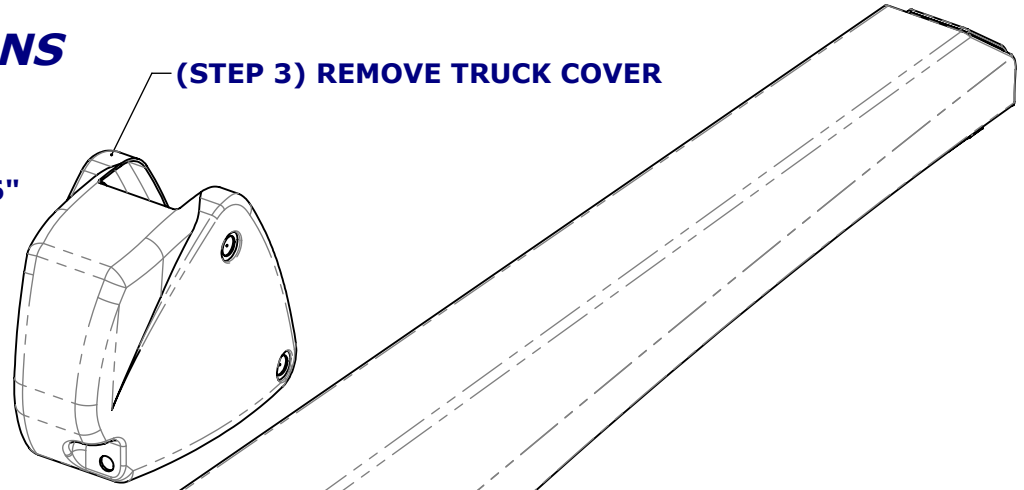
ES1000/ES1500 CRANE INSTALLATION INSTRUCTIONS

**(STEP 4) LOOSEN MOTOR-MOUNTING BOLTS 3/16"
(2 BOLTS ON EACH SIDE OF MOTOR)**

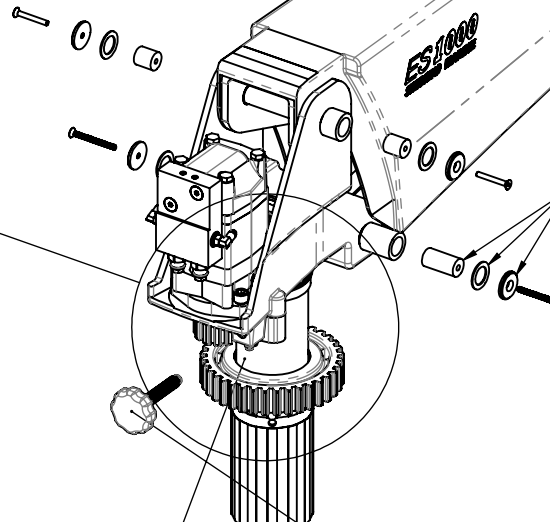


DETAIL A
SCALE 1 : 4

(STEP 3) REMOVE TRUCK COVER



**(STEP 2) REMOVE PIN CAPS, SPACERS,
PIN STUBS TO ALLOW REMOVAL OF
TRUCK COVER**



**(STEP 5) TIP MOTOR SO THAT PINION GEAR ANGLES AWAY
FROM MAIN GEAR,
DROP CRANE ONTO MAIN GEAR/STANDPIPE
AND RE-TORQUE MOTOR-MOUNTING BOLTS TO
80 LB-FT WITH BOLT LOCKING LOC-TITE OR EQUIVALENT**

(STEP 1) REMOVE BRAKE HANDLE

(STEP 6) RE-ASSEMBLE COVER, PIN CAPS, AND BRAKE HANDLE

THE INFORMATION CONTAINED IN THIS DRAWING CONSTITUTES THE INTELLECTUAL PROPERTY, INCLUDING, BUT NOT LIMITED TO, KNOWLEDGE, TRADE SECRETS, AND PROPRIETARY INFORMATION WHICH IS THE EXCLUSIVE PROPERTY OF STEELHEAD MARINE LTD., ALL INFORMATION CONTAINED IN THIS DRAWING IS TO BE HELD IN THE STRICTEST CONFIDENCE BY THE RECIPIENT, AND IS NOT TO BE COPIED, DISCLOSED TO, OR TRANSMITTED TO ANY THIRD PARTIES WITHOUT THE EXPRESS WRITTEN AUTHORIZATION OF STEELHEAD MARINE LTD.

**CAD GENERATED DRAWING.
DO NOT MANUALLY UPDATE.
*** DO NOT SCALE ***
UNLESS OTHERWISE SPECIFIED
ALL DIMENSIONS ARE IN
INCHES.**

TOLERANCES:
FRACTIONS = ±1/16
0, 0.0 = ±0.030
0.00 = ±0.010
0.000 = ±0.005
ANGLES = ±1.0

3rd ANGLE PROJ. Ⓢ



2 - 5367 271 Street, Langley, B.C. Canada
Tel: 604-607-0091 Fax: 604-607-0092
Web: www.steelheadmarine.net
E-mail: sales@steelheadmarine.net

DRAWN:	G.R.
DATE:	27/112014
CHECKED:	
APPROVED:	
SCALE:	1:10

**CRANE INSTALLATION
INSTRUCTIONS
PROJECT: ES1000/ES1500**

DWG. NO.:	SHEET:	REV.:
ES1000 INSTALL	1 OF 1	